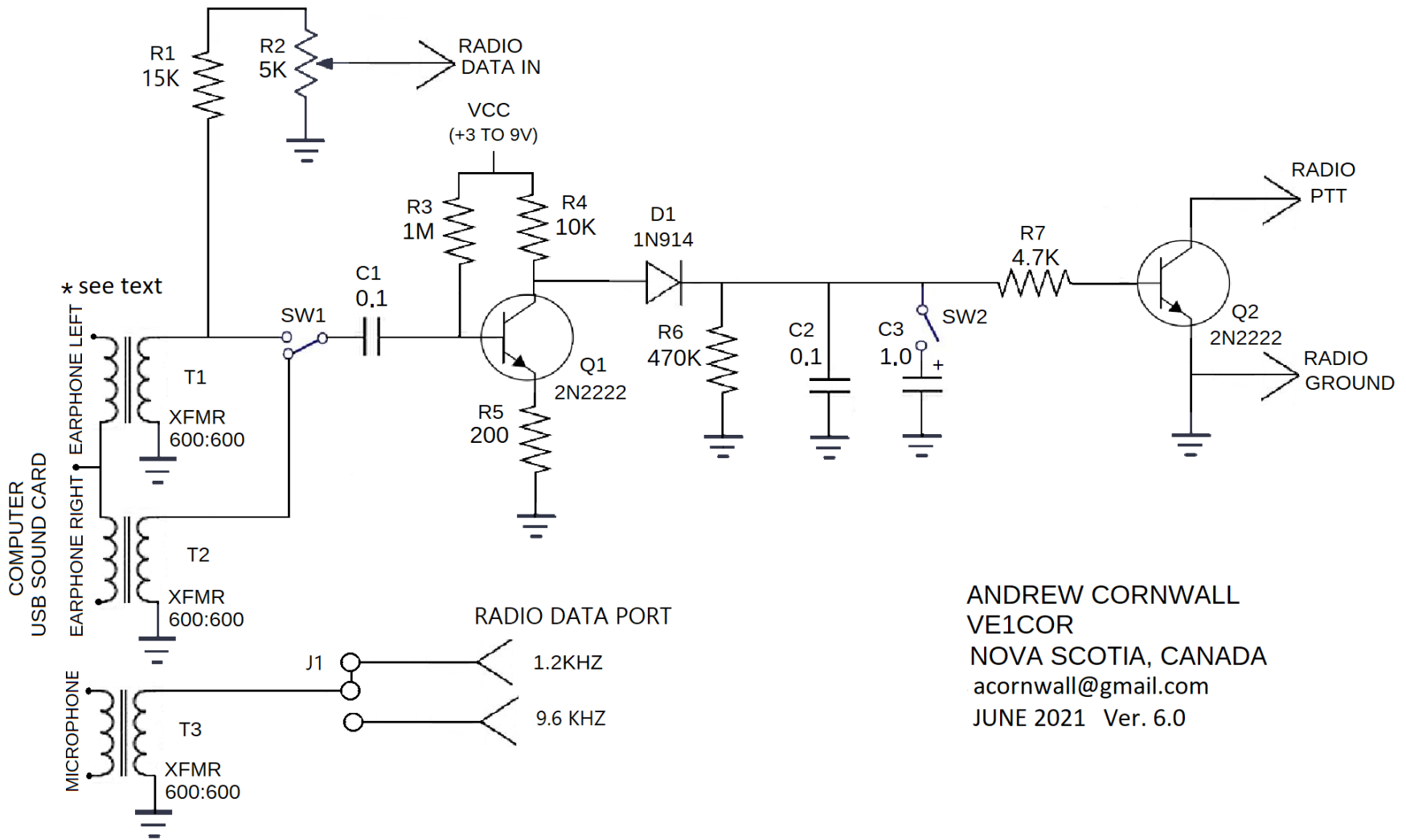


FIGURE 2A
 MODIFIED SIMPLE DIY COMPUTER - TRANSCEIVER DIGITAL INTERFACE



ANDREW CORNWALL
 VE1COR
 NOVA SCOTIA, CANADA
 acornwall@gmail.com
 JUNE 2021 Ver. 6.0